

文件變更通知單

No.107083

編號	3A057H672E	名稱	AEHH8P PRODUCT NOTE			發行			
						份數	單位	簽收	
版數：02							重電營業處	電子	
變更理由：F#445T,F#449剖面圖料號更正							研發中心-設計課-技術股	電子	
變更內容： 4B049M700E REV.00→REV.01 4B049M705E REV.00→REV.01							中壢二廠-品管課	電子	
							研發中心-電設課	電子	
							研發中心-機設課	電子	
							HTEM-設計處	電子	
							研發中心-業務技術課	電子	
							研發中心-電設課-技術股	電子	
							中壢二廠-品管課-成檢股-檢C班	電子	
							全球生產運籌中心-產銷運籌課	電子	
							GSMD	電子	
							研發中心-機設課-M3股	電子	
							③	電子	
						核定	Daniel Shih Nov. 2 2019	複審	TW57A0 OCT.21.19

僅供參考
不予更新及回收

PRODUCT NOTE

MODEL : AEHH8P

STANDARD 3-PHASE HIGH EFFICIENCY INDUCTION MOTORS
 LOW VOLTAGE SQUIRREL CAGE
 FRAME SIZE (EH) 444 ~ 449 T & TS

僅供參考
不予更新及回收

TABLE OF CONTENTS

DWG NO.	REV.	NAME	PAGES
3A057H673E	01	SPECIFICATION TABLE	2
3A057H674	01	PERFORMANCE DATA (60Hz)	1
4B049M691E	00	OUTLINE DIMENSION SHEET (F#444~445 T & TS INCHES)	1
4B049M692E	00	OUTLINE DIMENSION SHEET (F#444~445 T & TS MM)	1
4B049M693E	01	OUTLINE DIMENSION SHEET (F#447~449 T & TS INCHES)	1
4B049M694E	01	OUTLINE DIMENSION SHEET (F#447~449 T & TS MM)	1
4B049M695E	00	SCHEMATIC DRAWING (F#444TS 2P)	1
4B049M696E	00	SCHEMATIC DRAWING (F#444T 4P)	1
4B049M697E	00	SCHEMATIC DRAWING (F#444T 6P~8P)	1
4B049M698E	00	SCHEMATIC DRAWING (F#445TS 2P)	1
4B049M699E	00	SCHEMATIC DRAWING (F#445T 4P)	1
4B049M700E	01	SCHEMATIC DRAWING (F#445T 6P~8P)	1
4B049M701E	00	SCHEMATIC DRAWING (F#447TS 2P)	1
4B049M702E	00	SCHEMATIC DRAWING (F#447T 4P)	1
4B049M703E	00	SCHEMATIC DRAWING (F#447T 6P~8P)	1
4B049M704E	00	SCHEMATIC DRAWING (F#449TS 2P)	1
4B049M705E	01	SCHEMATIC DRAWING (F#449T 4P)	1
4B049M706E	00	SCHEMATIC DRAWING (F#449T 6P~8P)	1

重	
GSMD	
設	
總品	
總品C	
研機	
研△	
研電	
研△	
籌	
HTEM	
研技	
產	

REV.02 OCT. 22 2010 NO.107083

REV.01 MAR. 11 2010 NO.107017

APPD.	D. Shk	Nov. 2, 2010	TECO Electric & Machinery Co., Ltd.	DWG NO.	3A057H672E
CHKD.	T. Shk	OCT. 28 2010		REV.02	1/1
DWN.	H. Chen	OCT. 22 2010			

ISSUED FEB. 08 2010		SPECIFICATION TABLE 3-PHASE HIGH EFFICIENCY INDUCTION MOTORS LOW VOLTAGE SQUIRREL CAGE		MODEL AEHH8P		
REVISED MAR. 11 2010						
ITEM			STANDARD SPECIFICATION			
RATING	KIND OF MOTOR		SQUIRREL-CAGE INDUCTION MOTOR (SCIM)			
	DESIGN STANDARD		NEMA MG-1, MG-13			
	VOLTAGE		230/460V (208V DE-RATING OPERATION), 460V, 575V			
	FREQUENCY		60Hz			
	OUTPUT RANGE		75 ~ 350HP			
	R.P.M. (SYN.)		3600~900R.P.M.(2 ~ 8 POLE)			
	TIME DUTY		CONTINUOUS, S.F. 1.15 (S1, MCR)			
	FRAME SIZE (EH)		444 ~ 449 T & TS			
	PROTECTION ENCLOSURE		TOTALLY ENCLOSED (IP 44)			
	COOLING METHOD		SELF EXTERNAL FAN, SURFACE COOLING (IC 411)			
	MOUNTING		HORIZONTAL FOOT MOUNTING F-1 (IM1001), HOWEVER, F-1, F-2 ARE INTERCHANGEABLE			
APPLICATION	POWER CONDITIONS		VOLTAGE: $\pm 10\%$, FREQUENCY $\pm 5\%$, AND $\pm 10\%$ OF COMBINED VOLTAGE AND FREQUENCY, BUT FREQUENCY VARIATION DOES NOT EXCEED $\pm 5\%$			
	ENVIRONMENT CONDITIONS		AMBIENT TEMPERATURE : $-15^{\circ}\text{C} \sim 40^{\circ}\text{C}$ RELATIVE HUMIDITY : LESS THAN 90%RH (NON-CONDENSATION) ALTITUDE : LESS THAN 3,300 ft			
	DRIVE METHOD		COUPLING SERVICE			
	DIRECTION OF ROTATION		BI-DIRECTIONAL			
	METHOD OF STARTING		FULL VOLTAGE DIRECT-ON-LINE OR Y- Δ STARTING			
CONSTRUCTION	DIMENSIONS		AS DWG NO. 4B049M691E, 4B049M692E, 4B049M693E, 4B049M694E			
	FRAME		HIGH GRADE CAST IRON WITH DRAIN HOLES: NON-THREADED 3/16" DIAMETER AT BOTTOM			
	END BRACKET		HIGH GRADE CAST IRON			
	EXTERNAL FAN		PLASTIC, EXCEPT 2 POLE USE CAST IRON			
	FAN COVER		PRESSED STEEL			
	SHAFT		CARBON STEEL, CYLINDRICAL SINGLE EXTENSION WITH KEYWAY AND KEY			
	BEARING		BRACKET MOUNTING, VACUUM DE-GASSED HIGH QUALITY ROLLING BEARINGS WITH REGREASE PROVISIONS			
	LUBRICANT		MINERAL OIL, EQUIVALENT GREASE (ESSO POLYREX EM GREASE)			
SHAFT FLINGER		METAL FLINGER ON BOTH ENDS				
APPD.	T. WANG	MAR. 12 2010	TECO Electric & Machinery Co., Ltd.		DWG NO.	3A057H673E
CHKD.	C. CHEN	MAR. 11 2010			REV.01	1/2
DWN.	H. CHEN	MAR. 11 2010				

僅供參考
不予更新及回收

ITEM		STANDARD SPECIFICATION
C O N S T R U C T I O N	TERMINAL HOUSING	PRESSED STEEL, LARGER SIZE, CAN BE ROTATED EACH 90° STEP
	LEAD TERMINAL	NOT OVER 125HP: 12 LEADS, OVER 125HP: 6 LEADS, WITH SOLDERLESS LUG TERMINALS
	IRON CORE	HIGH GRADE, INSULATED, COLD-ROLLED ELECTRO-MAGNETIC STEEL PLATE
	STATOR WINDING	RANDOM WOUND WITH HEAVY BUILT, HEAT-RESISTANT, POLYESTER ENAMELED COPPER WIRE
	STATOR INSULATION	CLASS F INSULATION SYSTEM
	VARNISH TREATMENT	2-DIP WITH PHENOLIC ALKY RESIN VARNISH AND 1-SPRAY ENAMEL TOP COATING
	ROTOR WINDING	SQUIRREL-CAGE, COPPER BAR BRAZED OR ALUMINUM CONDUCTOR WITH END-RING AND WAFER BLADES INTEGRALLY CAST
	PAINTING	ALKYD RESIN WITH RUST PROOF BASE, PLUS POLYURETHANE SURFACE FINISH PAINTING IN BLUE-GRAY COLOR (MUNSELL 7.5B 3.5/0.5)
	NAMEPLATE	STAINLESS STEEL PLATE
	HARDWARE	ISO METRIC SYSTEM
	GROUNDING TERMINAL	BE SET INSIDE OF TERMINAL HOUSING
P E R F O R M A N C E	TEST PROCEDURE	IEEE-112 METHOD B AND FULL VOLTAGE MEASURING STARTING PERFORMANCE
	TYPICAL PERFORMANCE	AS DWG NO. 3A057H674E
	TEMPERATURE RISE	NOT TO EXCEED 90°C RISE BY RESISTANCE METHOD AT S.F. 1.15; 80°C RISE AT S.F. 1.0
	OVER SPEED	2, 4 POLE: 125% SYN. R.P.M. FOR TWO MIN. 6, 8 POLE: 150% SYN. R.P.M. FOR TWO MIN.
	OVER TORQUE	160% RATED TORQUE FOR 15 SEC
<div style="border: 1px solid red; padding: 2px; display: inline-block;"> 僅供參考 不予更新及回收 </div>		

ISSUED FEB. 08 2010	PERFORMANCE DATA 3-PHASE HIGH EFFICIENCY INDUCTION MOTORS LOW VOLTAGE SQUIRREL CAGE	MODEL AEHH8P
REVISED MAR. 11 2010		



C C 0 0 2 A

TEFC, NEMA T-FRAME, CODE G, CLASS F, 40°C AMBIENT,
CONTINUOUS DUTY, 1.15 S.F. 460V 60HZ

TYPICAL PERFORMANCE (460V)

HP	FULL LOAD RPM	FRAME SIZE (EH)	EFFICIENCY (%)				POWER FACTOR			CURRENT			TORQUE				ROTOR WR ² lb-ft ²	APPROX. WEIGHT LBS
			FULL LOAD		3/4 LOAD	1/2 LOAD	FULL LOAD	3/4 LOAD	1/2 LOAD	FULL LOAD	208V USABLE	LOCKED ROTOR	FULL LOAD	LOCKED ROTOR	PULL UP	BREAK- DOWN		
			NOM.	MIN.	NOM.	NOM.	%	%	%	A	ON_A	A	lb-ft	%FLT	%FLT	%FLT		
75	885	444T	93	91.7	92.4	91	79.0	76	67	95.6	211	548	445	120	100	220	55.1	1600
100	1181	444T	95.0	94.1	94.5	93.6	82.5	80.0	73.0	119	264	725	444	140	110	230	56.0	1580
	885	445T	93	91.7	92.4	91	79.0	76.5	67.0	127	282	725	593	120	100	220	72.8	1850
125	3563	444TS	95.0	94.1	94.5	93.6	86.0	83.5	80.0	143	316	907.5	184	110	88	220	14.2	1400
	1780	444T	95.4	94.5	95.0	94.1	84.0	82.0	77.0	146	323	907.5	368	130	100	220	39.1	1500
	1182	445T	95.0	94.1	94.5	93.6	83.0	80.5	74.0	148	328	907.5	554	140	110	230	68.0	1800
	888	447T	93.6	92.4	93.0	91.7	80.0	77.0	69.0	156	346	907.5	739	120	100	220	120	2200
150	3566	445TS	95.0	94.1	94.5	93.6	87.0	84.5	81.0	170	--	1085	220	110	88	220	16.0	1600
	1783	445T	95.8	95.0	95.4	94.5	84.0	82.0	78.0	175	--	1085	442	130	100	220	52.0	1700
	1185	447T	95.8	95.0	95.4	94.5	83.5	81.0	74.0	176	--	1085	664	135	105	220	100.6	2170
	888	449T	93.6	92.4	93.4	92.1	80.0	77.0	69.0	188	--	1085	887	120	100	220	140	2600
200	3572	447TS	95.4	94.5	95.0	94.1	87.0	84.5	81.0	226	--	1450	293	104	83	210	30.2	1900
	1785	447T	96.2	95.4	95.8	95.0	84.5	82.5	78.5	230	--	1450	588	120	95	210	73.5	2300
	1186	449T	95.8	95.0	95.4	94.5	84.0	81.0	74.0	233	--	1450	885	135	105	210	115.0	2450
250	3575	449TS	95.8	95.0	95.4	94.5	88.0	85.5	82.0	278	--	1825	366	103	83	210	37.9	2320
	1787	449T	96.2	95.4	95.8	95.0	85.5	83.5	80.0	285	--	1825	734	110	90	210	83.0	2600
	1188	449T	95.8	95.0	95.4	94.5	84.5	82.0	74.5	289	--	1825	1104	110	90	210	136.8	2620
300	3580	449TS	95.8	95.0	95.4	94.5	88.0	85.5	82.5	333	--	2200	439	102	81	210	45.6	2550
	1788	449T	96.2	95.4	95.8	95.0	85.5	83.5	80.0	342	--	2200	880	100	85	210	97.0	2750
	1188	449T	95.8	95.0	95.4	94.5	84.5	82.0	74.5	347	--	2200	1330	100	85	210	154	2850
350	3585	449TS	95.8	95.0	95.4	94.5	88.0	85.5	82.5	389	--	2565	514	100	85	210	53.3	2860
	1790	449T	96.2	95.4	95.8	95.0	85.5	83.5	80.0	399	--	2565	1027	100	85	210	105	2970

- NOTE : 1. THE ABOVE ARE TYPICAL VALUES BASED ON TEST ACCORDING TO ANSI/IEEE STANDARD 112 METHOD B.
2. BREAKDOWN & LOCKED ROTOR TORQUES ARE SHOWN AS AVERAGE EXPECTED VALUES.
3. EFFICIENCY, POWER FACTOR, SPEED AND TORQUE ARE THE SAME FOR OTHER VOLTAGES. CURRENT VALUES VARY INVERSELY WITH VOLTAGE.
4. TOLERANCE ACCORDING TO NEMA MG-1-12 & IEC 60034-1. 僅供參考
不予更新及回收
5. DATA SUBJECT TO CHANGE WITHOUT NOTICE
6. C C 0 0 2 A IS SUITABLE FOR 2, 4, 6 POLE UP TO 200HP.

APPD. <i>TMSAD</i> <i>MAR. 12. 2010</i>	TECO Electric & Machinery Co., Ltd.	DWG NO.
CHKD. <i>C-CHEN</i> <i>MAR. 11. 2010</i>		3A057H674E
DWN. <i>H-CHEN</i> <i>MAR. 11. 2010</i>		REV.01 1/1

ISSUED
FEB. 09 2010

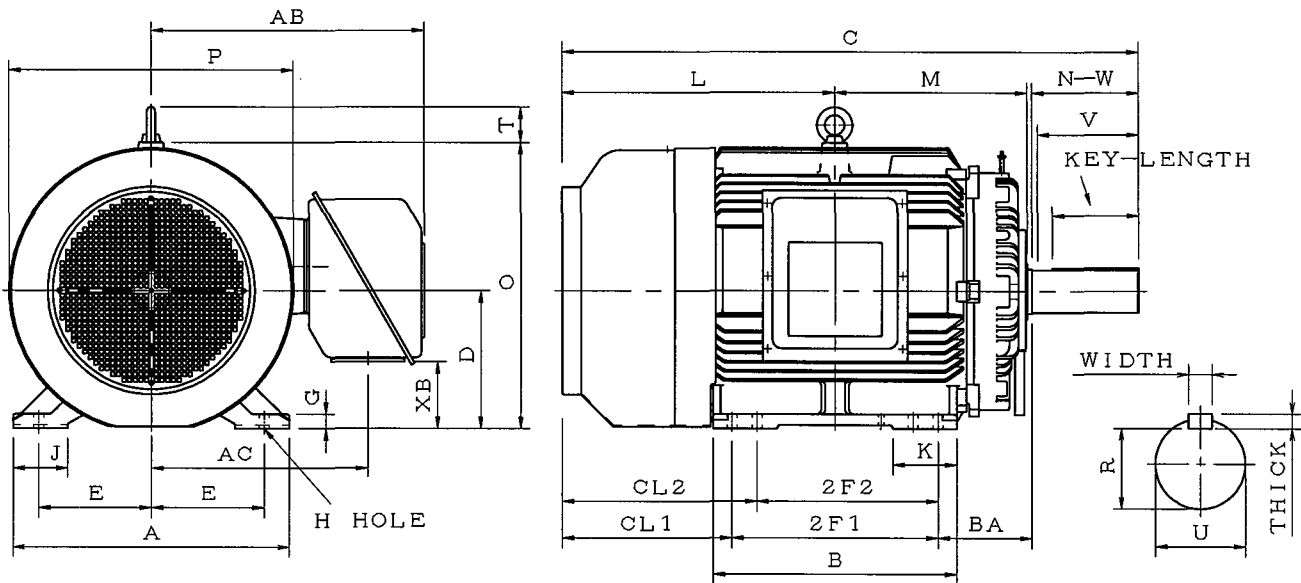
OUTLINE DIMENSION SHEET

MODEL
AEHH8P

REVISED

3-PHASE HIGH EFFICIENCY INDUCTION MOTORS
FRAME SIZE (EH) 444 ~ 445 T & TS

TOTALLY ENCLOSED FAN COOLED TYPE. SQUIRREL CAGE ROTOR



僅供參考
不予更新及回收

DIMENSIONS IN INCHES

OUTPUT (HP)				FRAME SIZE (EH)	MOUNTING					A	B	C	CL1	CL2	D	G
2P	4P	6P	8P		E	2F1	2F2	H	BA							
—	125	100	75	444T	9.00	14.50	—	13/16	7.50	22.05	17.50	44.00	13.5	—	11.00	1.15
125	—	—	—	444TS	9.00	14.50	—	13/16	7.50	22.05	17.50	40.25	13.5	—	11.00	1.15
—	150	125	100	445T	9.00	16.50	14.50	13/16	7.50	22.05	19.50	46.00	13.5	15.5	11.00	1.15
150	—	—	—	445TS	9.00	16.50	14.50	13/16	7.50	22.05	19.50	42.25	13.5	15.5	11.00	1.15

FRAME SIZE (EH)	J	K	L	M	O	P	T	KEY			TERMINAL HOUSING			SHAFT EXTENSION		
								WIDTH	THICK	LENGTH	AB	AC	XB	N-W	U	V
444T	4.35	4.35	20.75	14.25	22.80	22.70	3.55	.875	.875	6.91	21.85	17.30	5.30	8.50	3.375	8.00
444TS	4.35	4.35	20.75	14.25	22.80	22.70	3.55	.625	.625	3.03	21.85	17.30	5.30	4.75	2.375	4.50
445T	4.35	5.10	21.75	15.25	22.80	22.70	3.55	.875	.875	6.91	21.85	17.30	5.30	8.50	3.375	8.00
445TS	4.35	5.10	21.75	15.25	22.80	22.70	3.55	.625	.625	3.03	21.85	17.30	5.30	4.75	2.375	4.50

FRAME SIZE (EH)	KEYSEAT R	BEARINGS	
		DRIVE END	OPP. DRIVE END
444T	2.880	6318	6316
444TS	2.021	6314C3	6314C3
445T	2.880	6318	6316
445TS	2.021	6314C3	6314C3

NOTE:

1. DIMENSION D TOLERANCE: +0.00 INCH, -0.06 INCH
2. DIMENSION U TOLERANCE: +0.000 INCH, -0.001 INCH
3. DIMENSION R TOLERANCE: +0.000 INCH, -0.015 INCH
4. DIMENSION V IS THE LENGTH OF STRAIGHT PART OF SHAFT
5. FOR DIRECT FLEXIBLE COUPLING

APPD. B. Yang FEB. 12, 2010
CHKD. H. Huang FEB. 12, 2010
DWN. H. CHEN FEB. 09, 2010

TECO Electric & Machinery Co., Ltd.

DWG NO. 4B049M691E
REV. 00

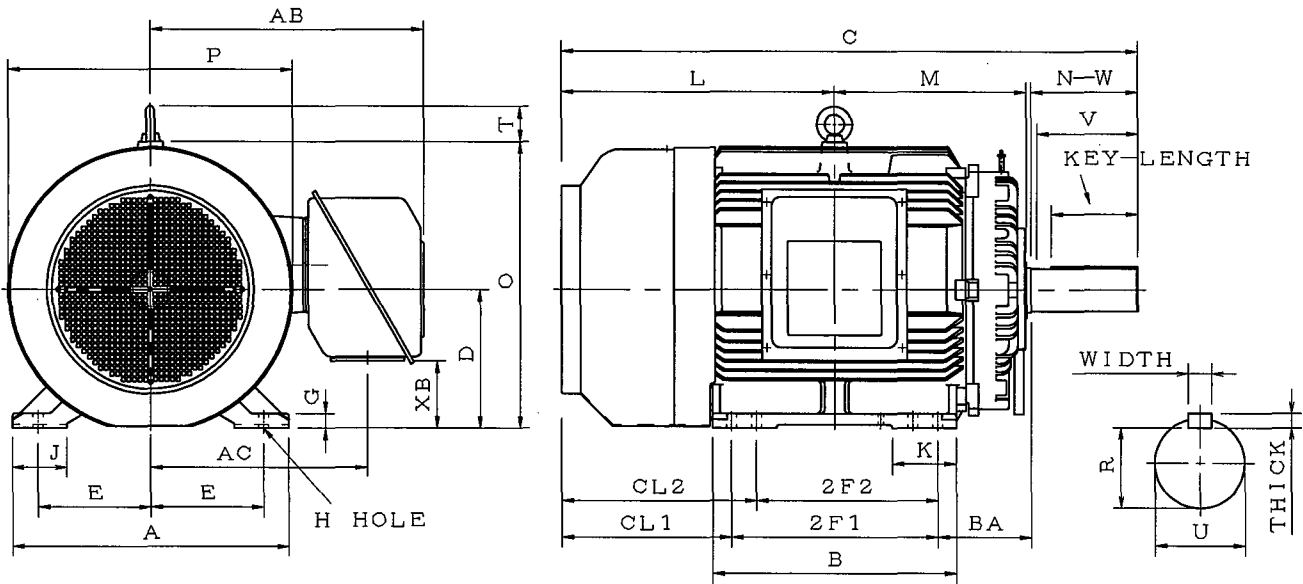
ISSUED
FEB. 09 2010
REVISED

OUTLINE DIMENSION SHEET

MODEL
AEHH8P

3-PHASE HIGH EFFICIENCY INDUCTION MOTORS
FRAME SIZE (EH) 444 ~ 445 T & TS

TOTALLY ENCLOSED FAN COOLED TYPE. SQUIRREL CAGE ROTOR



僅供參考
不予更新及回收

DIMENSIONS IN MM

OUTPUT(HP)				FRAME SIZE (EH)	MOUNTING					A	B	C	CL1	CL2	D	G
2P	4P	6P	8P		E	2F1	2F2	H	BA							
—	125	100	75	444T	228.6	368.3	—	20.64	190.5	560	445	1118.05	343.35	—	279.4	29
125	—	—	—	444TS	228.6	368.3	—	20.64	190.5	560	445	1022.80	343.35	—	279.4	29
—	150	125	100	445T	228.6	419.1	368.3	20.64	190.5	560	495	1168.45	342.95	393.75	279.4	29
150	—	—	—	445TS	228.6	419.1	368.3	20.64	190.5	560	495	1073.20	342.95	393.75	279.4	29

FRAME SIZE (EH)	J	K	L	M	O	P	T	KEY			TERMINAL HOUSING			SHAFT EXTENSION		
								WIDTH	THICK	LENGTH	AB	AC	XB	N-W	U	V
444T	110	110	527.5	363.5	579	577	90	22.225	22.225	176	555	440	135	215.90	85.725	203.2
444TS	110	110	527.5	363.5	579	577	90	15.875	15.875	77	555	440	135	120.65	60.325	114.3
445T	110	130	552.5	387.5	579	577	90	22.225	22.225	176	555	440	135	215.90	85.725	203.2
445TS	110	130	552.5	387.5	579	577	90	15.875	15.875	77	555	440	135	120.65	60.325	114.3

FRAME SIZE (EH)	KEYSEAT R	BEARINGS	
		DRIVE END	OPP. DRIVE END
444T	73.152	6318	6316
444TS	51.333	6314C3	6314C3
445T	73.152	6318	6316
445TS	51.333	6314C3	6314C3

- NOTE:
1. DIMENSION D TOLERANCE: +0.00MM, -1.52MM
 2. DIMENSION U TOLERANCE: +0.000MM, -0.025MM
 3. DIMENSION R TOLERANCE: +0.000MM, -0.381MM
 4. DIMENSION V IS THE LENGTH OF STRAIGHT PART OF SHAFT
 5. FOR DIRECT FLEXIBLE COUPLING

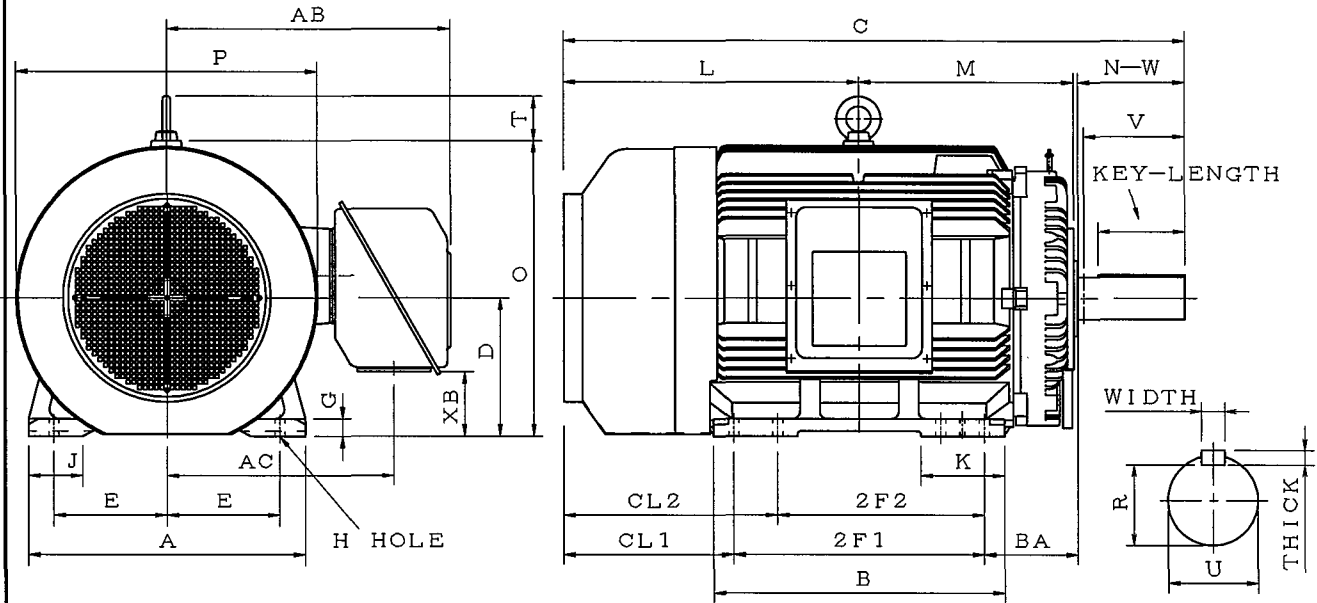
APPD. B.Yang FEB.12.2010
CHKD. H.Huang FEB.12.2010
DWN. H.CHEN FEB.09.2010

TECO Electric & Machinery Co., Ltd.

DWG NO. 4B049M692E
REV.00

ISSUED FEB. 09 2010	OUTLINE DIMENSION SHEET	MODEL AEHH8P
REVISED MAR. 11 2010	3-PHASE HIGH EFFICIENCY INDUCTION MOTORS FRAME SIZE (EH) 447 ~ 449 T & TS	

TOTALLY ENCLOSED FAN COOLED TYPE. SQUIRREL CAGE ROTOR



僅供參考
不予更新及回收

DIMENSIONS IN INCHES

OUTPUT (HP)				FRAME SIZE (EH)	MOUNTING					A	B	C	CL1	CL2	D	G
2P	4P	6P	8P		E	2F1	2F2	H	BA							
—	200	150	125	447T	9.00	20.00	16.50	13/16	7.50	22.05	23.25	49.50	13.5	17.0	11.00	1.40
200	—	—	—	447TS	9.00	20.00	16.50	13/16	7.50	22.05	23.25	45.75	13.5	17.0	11.00	1.40
—	250	200	150	449T	9.00	25.00	20.00	13/16	7.50	22.05	27.95	54.50	13.5	18.5	11.00	1.40
250	300	250	300	449TS	9.00	25.00	20.00	13/16	7.50	22.05	27.95	50.75	13.5	18.5	11.00	1.40
300	—	—	—	449TS	9.00	25.00	20.00	13/16	7.50	22.05	27.95	50.75	13.5	18.5	11.00	1.40

FRAME SIZE (EH)	J	K	L	M	O	P	T	KEY			TERMINAL HOUSING			SHAFT EXTENSION		
								WIDTH	THICK	LENGTH	AB	AC	XB	N-W	U	V
447T	4.35	6.70	23.50	17.15	23.50	24.75	4.35	.875	.875	6.91	22.65	18.10	5.10	8.50	3.375	8.00
447TS	4.35	6.70	23.50	17.15	23.50	24.75	4.35	.625	.625	3.03	22.65	18.10	5.10	4.75	2.375	4.50
449T	4.35	8.25	26.00	19.65	23.50	24.75	4.35	.875	.875	6.91	22.65	18.10	5.10	8.50	3.375	8.00
449TS	4.35	8.25	26.00	19.65	23.50	24.75	4.35	.625	.625	3.03	22.65	18.10	5.10	4.75	2.375	4.50

FRAME SIZE (EH)	KEYSEAT R	BEARINGS	
		DRIVE END	OPP. DRIVE END
447T	2.880	6320	6316
447TS	2.021	6314C3	6314C3
449T	2.880	6320	6316
449TS	2.021	6314C3	6314C3

NOTE:

1. DIMENSION D TOLERANCE: +0.00 INCH, -0.06 INCH
2. DIMENSION U TOLERANCE: +0.000 INCH, -0.001 INCH
3. DIMENSION R TOLERANCE: +0.000 INCH, -0.015 INCH
4. DIMENSION V IS THE LENGTH OF STRAIGHT PART OF SHAFT
5. FOR DIRECT FLEXIBLE COUPLING

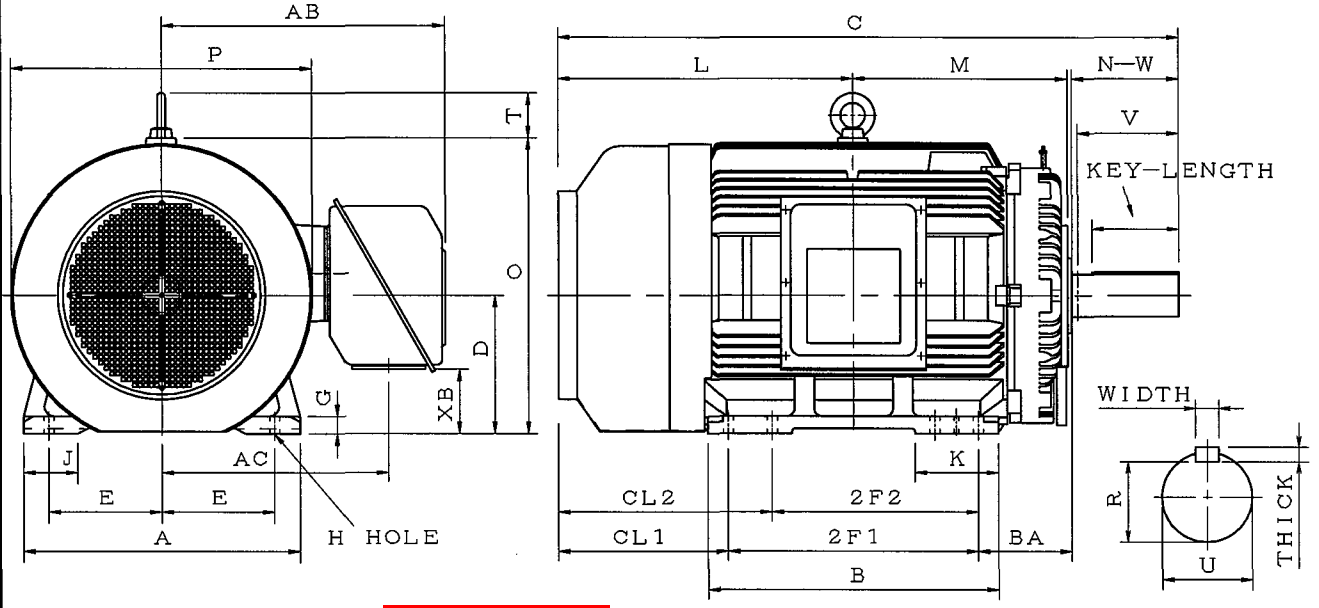
APPD. B. YANG	MAR. 12, 2010	TECO Electric & Machinery Co., Ltd.	DWG NO.
CHKD. H. Huang	MAR. 11, 2010		4B049M693E
DWN. H. CHEN	MAR. 11, 2010		REV. 01

ISSUED
FEB. 09 2010
REVISED
MAR. 11 2010

OUTLINE DIMENSION SHEET
3-PHASE HIGH EFFICIENCY INDUCTION MOTORS
FRAME SIZE (EH) 447 ~ 449 T & TS

MODEL
AEHH8P

TOTALLY ENCLOSED FAN COOLED TYPE. SQUIRREL CAGE ROTOR



僅供參考
不予更新及回收

DIMENSIONS IN MM

OUTPUT (HP)				FRAME SIZE (EH)	MOUNTING					A	B	C	CL1	CL2	D	G
2P	4P	6P	8P		E	2F1	2F2	H	BA							
—	200	150	125	447T	228.6	508.0	419.1	20.64	190.5	560	590	1257.90	343.5	432.4	279.4	35
200	—	—	—	447TS	228.6	508.0	419.1	20.64	190.5	560	590	1162.65	343.5	432.4	279.4	35
—	250	200	150	449T	228.6	635.0	508.0	20.64	190.5	560	710	1384.90	343.5	470.5	279.4	35
250	300	250	300	449TS	228.6	635.0	508.0	20.64	190.5	560	710	1289.65	343.5	470.5	279.4	35

FRAME SIZE (EH)	J	K	L	M	O	P	T	KEY			TERMINAL HOUSING			SHAFT EXTENSION		
								WIDTH	THICK	LENGTH	AB	AC	XB	N-W	U	V
447T	110	170	597.5	435.5	597	629	110	22.225	22.225	176	575	460	130	215.90	85.725	203.2
447TS	110	170	597.5	435.5	597	629	110	15.875	15.875	77	575	460	130	120.65	60.325	114.3
449T	110	210	661.0	499.0	597	629	110	22.225	22.225	176	575	460	130	215.90	85.725	203.2
449TS	110	210	661.0	499.0	597	629	110	15.875	15.875	77	575	460	130	120.65	60.325	114.3

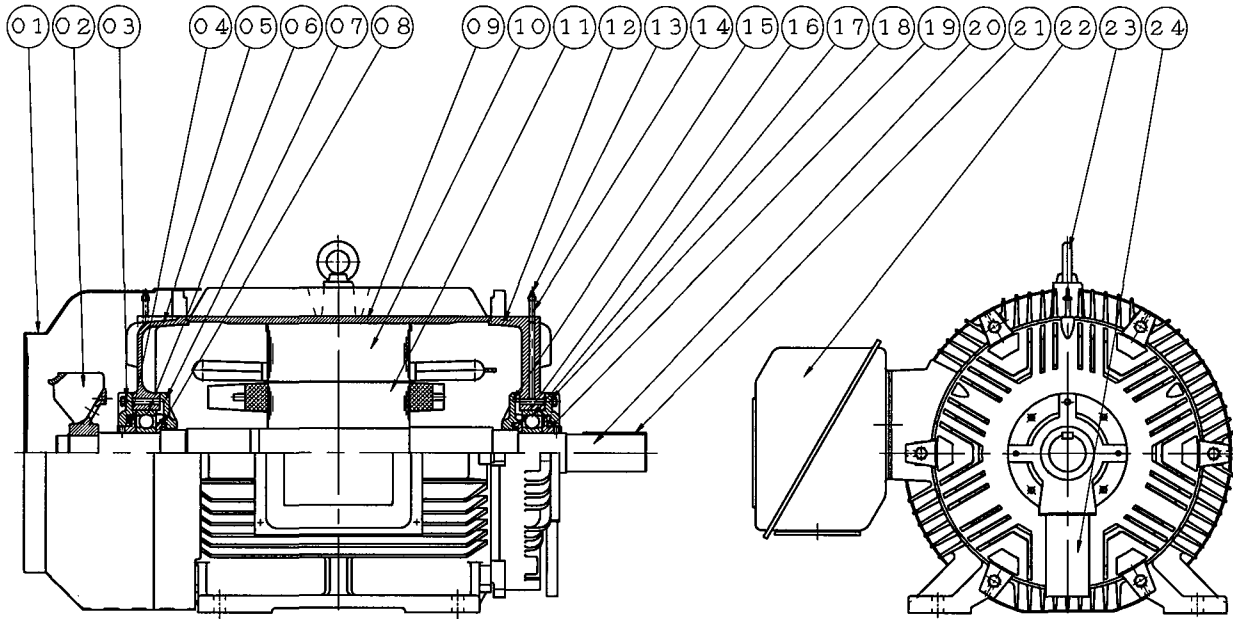
FRAME SIZE (EH)	KEYSEAT R	BEARINGS	
		DRIVE END	OPP. DRIVE END
447T	73.152	6320	6316
447TS	51.333	6314C3	6314C3
449T	73.152	6320	6316
449TS	51.333	6314C3	6314C3

NOTE:
 1. DIMENSION D TOLERANCE: +0.00MM, -1.52MM
 2. DIMENSION U TOLERANCE: +0.000MM, -0.025MM
 3. DIMENSION R TOLERANCE: +0.000MM, -0.381MM
 4. DIMENSION V IS THE LENGTH OF STRAIGHT PART OF SHAFT
 5. FOR DIRECT FLEXIBLE COUPLING

APPD. B. YANG	MAR 12, 2010	TECO Electric & Machinery Co., Ltd.	DWG NO.
CHKD. H. Huang	MAR 11, 2010		4B049M694E
DWN. H. CHEN	MAR 11, 2010		REV. 01

ISSUED FEB. 09 2010	SCHEMATIC DRAWING	MODEL AEHH8P
REVISED	3-PHASE HIGH EFFICIENCY INDUCTION MOTORS FRAME NO. (EH) 444TS	2P

TOTALLY ENCLOSED FAN COOLED TYPE. SQUIRREL CAGE ROTOR



ITEM	NAME	PART NO.
01	FAN COVER	3A407G4610101
02	EXTERNAL FAN	3A402C6830109
03	BEARING COVER-OUTER	3A208D7180205
04	GREASE FLINGER	3A206D6100204
05	END BRACKET	NDE: 3A102F3160101
06	BEARING	6314C3
07	BEARING COVER-INNER	3A207D4840003
08	STOP RING-BEARING	3A206D5520200
09	FRAME	3A101S4290005
10	STATOR	---
11	ROTOR	---
12	END BRACKET	DE: 3A102F3160208
13	GREASE NIPPLE	219900123045
14	GREASE PIPE	3A211D0300309
15	BEARING COVER-INNER	3A207D4840003
16	STOP RING-BEARING	3A206D5520200
17	BEARING	6314C3
18	BEARING COVER-OUTER	3A208D7180206
19	GREASE FLINGER	3A206D6100204
20	SHAFT	---
21	KEY	220111530777
22	THERMINAL BOX	3A600B1460000
23	EYE BOLT	210123611246
24	OIL DRAIN COVER	DE:3A209D0100204 NDE:3A209D0100204

僅供參考
不予更新及回收

APPD. B. Yang FEB. 12. 2010	TECO Electric & Machinery Co., Ltd.	DWG NO.
CHKD. H. Huang FEB. 12. 2010		4B049M695E
DWN. H. CHEN FEB. 09. 2010		REV. 00

ISSUED
FEB. 09 2010

SCHEMATIC DRAWING

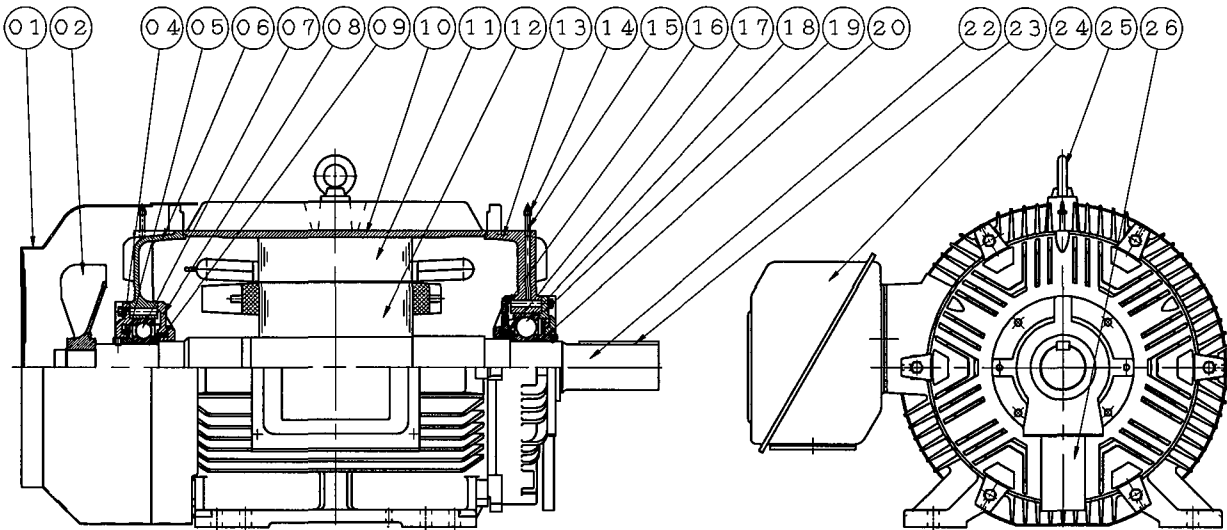
MODEL
AEHH8P

REVISED

3-PHASE HIGH EFFICIENCY INDUCTION MOTORS
FRAME NO. (EH) 444T

4P

TOTALLY ENCLOSED FAN COOLED TYPE. SQUIRREL CAGE ROTOR



ITEM	NAME	PART NO.
01	FAN COVER	3A407G4610101
02	EXTERNAL FAN	3A402C4840000
04	BEARING COVER-OUTER	3A208D7170201
05	GREASE FLINGER	3A206D5890104
06	END BRACKET	NDE: 3A102F3160402
07	BEARING	6316
08	BEARING COVER-INNER	3A207D4850009
09	STOP RING-BEARING	3A206D5570207
10	FRAME	3A101S4290005
11	STATOR	---
12	ROTOR	---
13	END BRACKET	DE: 3A102F3160500
14	GREASE NIPPLE	219900123045
15	GREASE PIPE	3A211D0300309
16	BEARING COVER-INNER	3A207D3850307
17	STOP RING-BEARING	3A206D5320006
18	BEARING	6318
19	BEARING COVER-OUTER	3A208D7310304
20	GREASE FLINGER	3A206D6260104
22	SHAFT	---
23	KEY	220112231765
24	THERMINAL BOX	3A600B1460000
25	EYE BOLT	210123611246
26	OIL DRAIN COVER	DE:3A209D0181000 NDE:3A209D0110307

僅供參考
不予更新及回收

APPD. B. Yang FEB. 12, 2010
CHKD. H. Huang FEB. 12, 2010
DWN. H. CHEN FEB. 19, 2010

TECO Electric & Machinery Co., Ltd.

DWG NO.
4B049M696E
REV. 00

ISSUED
FEB. 09 2010

SCHEMATIC DRAWING

MODEL
AEHH8P

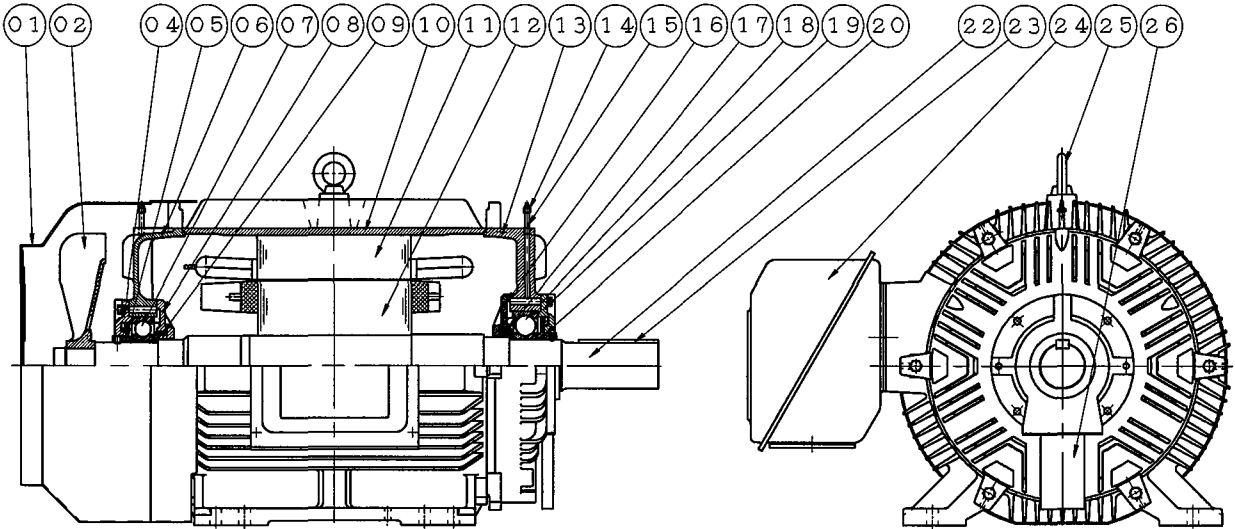
REVISED

3-PHASE HIGH EFFICIENCY INDUCTION MOTORS

FRAME NO. (EH) 444T

6P~8P

TOTALLY ENCLOSED FAN COOLED TYPE. SQUIRREL CAGE ROTOR



ITEM	NAME	PART NO.
01	FAN COVER	3A407G4610101
02	EXTERNAL FAN	3A402C4860001
04	BEARING COVER-OUTER	3A208D7170201
05	GREASE FLINGER	3A206D5890104
06	END BRACKET	NDE: 3A102F3160402
07	BEARING	6316
08	BEARING COVER-INNER	3A207D4850009
09	STOP RING-BEARING	3A206D5570207
10	FRAME	3A101S4290005
11	STATOR	---
12	ROTOR	---
13	END BRACKET	DE: 3A102F3160500
14	GREASE NIPPLE	219900123045
15	GREASE PIPE	3A211D0300309
16	BEARING COVER-INNER	3A207D3850307
17	STOP RING-BEARING	3A206D5320006
18	BEARING	6318
19	BEARING COVER-OUTER	3A208D7310304
20	GREASE FLINGER	3A206D6260104
22	SHAFT	---
23	KEY	220112231765
24	THERMINAL BOX	3A600B1460000
25	EYE BOLT	210123611246
26	OIL DRAIN COVER	DE:3A209D0181000 NDE:3A209D0110307

僅供參考
不予更新及回收

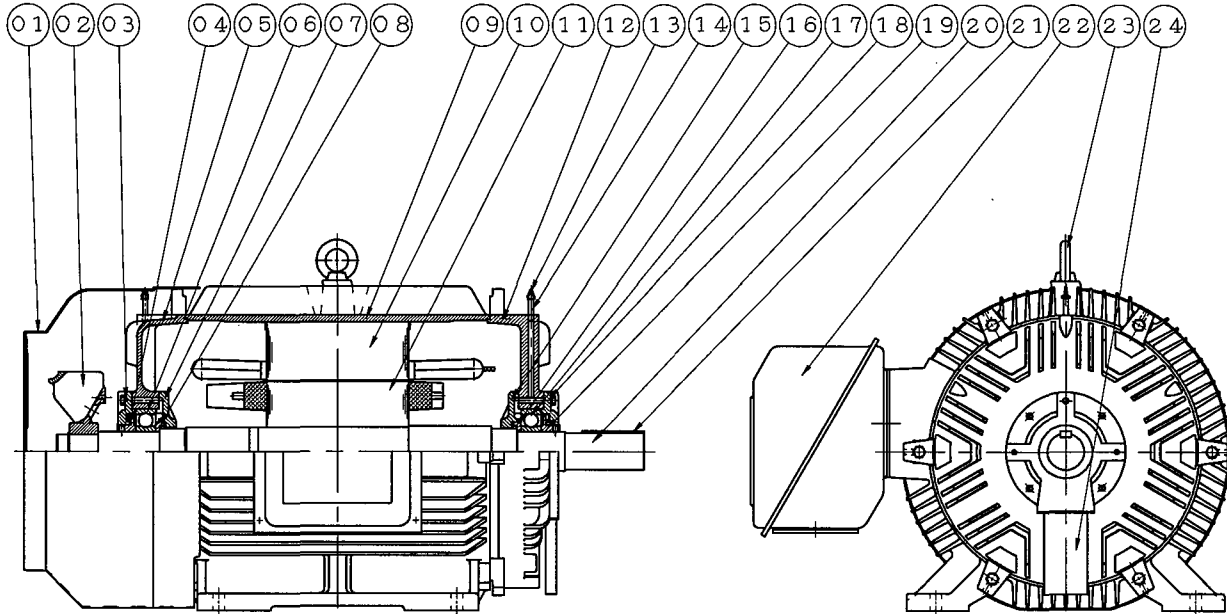
APPD. *B. Yang* FEB. 12, 2010
CHKD. *H. Huang* FEB. 12, 2010
DWN. *H. CHEN* FEB. 09, 2010

TECO Electric & Machinery Co., Ltd.

DWG NO. 4B049M697E
REV. 00

ISSUED FEB. 09 2010	SCHMATIC DRAWING	MODEL AEHH8P
REVISED	3-PHASE HIGH EFFICIENCY INDUCTION MOTORS FRAME NO. (EH) 445TS	2P

TOTALLY ENCLOSED FAN COOLED TYPE. SQUIRREL CAGE ROTOR



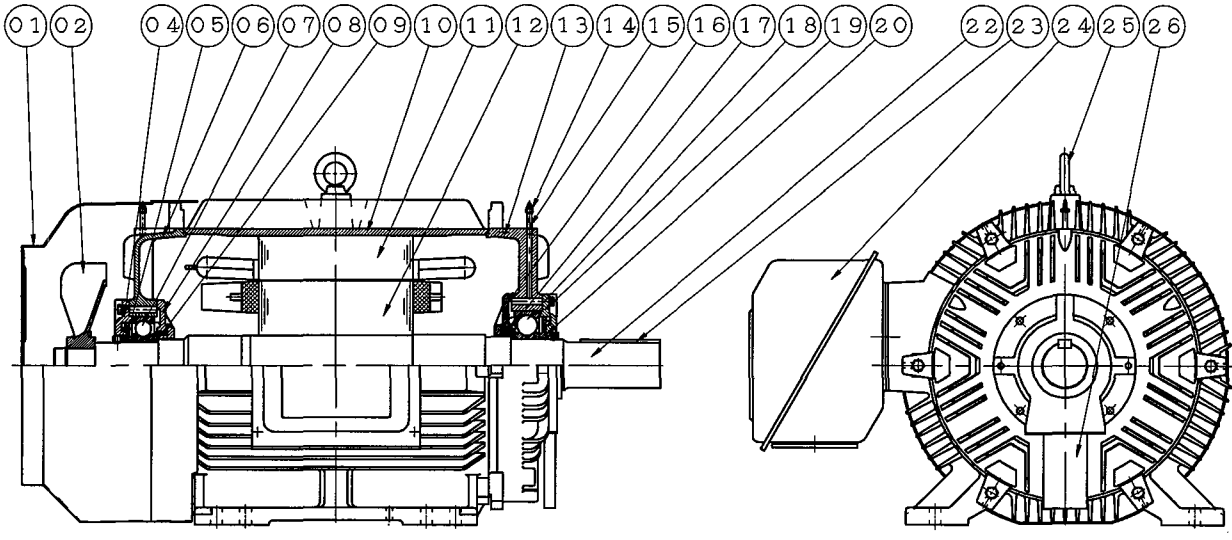
ITEM	NAME	PART NO.
01	FAN COVER	3A407G4610101
02	EXTERNAL FAN	3A402C6830109
03	BEARING COVER-OUTER	3A208D7180205
04	GREASE FLINGER	3A206D6100204
05	END BRACKET	NDE: 3A102F3160101
06	BEARING	6314C3
07	BEARING COVER-INNER	3A207D4840003
08	STOP RING-BEARING	3A206D5520200
09	FRAME	3A101S4300001
10	STATOR	—
11	ROTOR	—
12	END BRACKET	DE: 3A102F3160208
13	GREASE NIPPLE	219900123045
14	GREASE PIPE	3A211D0300309
15	BEARING COVER-INNER	3A207D4840003
16	STOP RING-BEARING	3A206D5520200
17	BEARING	6314C3
18	BEARING COVER-OUTER	3A208D7180206
19	GREASE FLINGER	3A206D6100204
20	SHAFT	—
21	KEY	220111530777
22	THERMINAL BOX	3A600B1460000
23	EYE BOLT	210123611246
24	OIL DRAIN COVER	DE:3A209D0100204 NDE:3A209D0100204

僅供參考
不予更新及回收

APPD. B. Yang FEB. 12, 2010	TECO Electric & Machinery Co., Ltd.	DWG NO.
CHKD. H. Huang FEB. 12, 2010		4B049M698E
DWN. H. CHEN FEB. 09, 2010		REV. 00

ISSUED FEB. 09 2010	SCHEMATIC DRAWING	MODEL AEHH8P
REVISED	3-PHASE HIGH EFFICIENCY INDUCTION MOTORS FRAME NO. (EH) 445T	4P

TOTALLY ENCLOSED FAN COOLED TYPE. SQUIRREL CAGE ROTOR



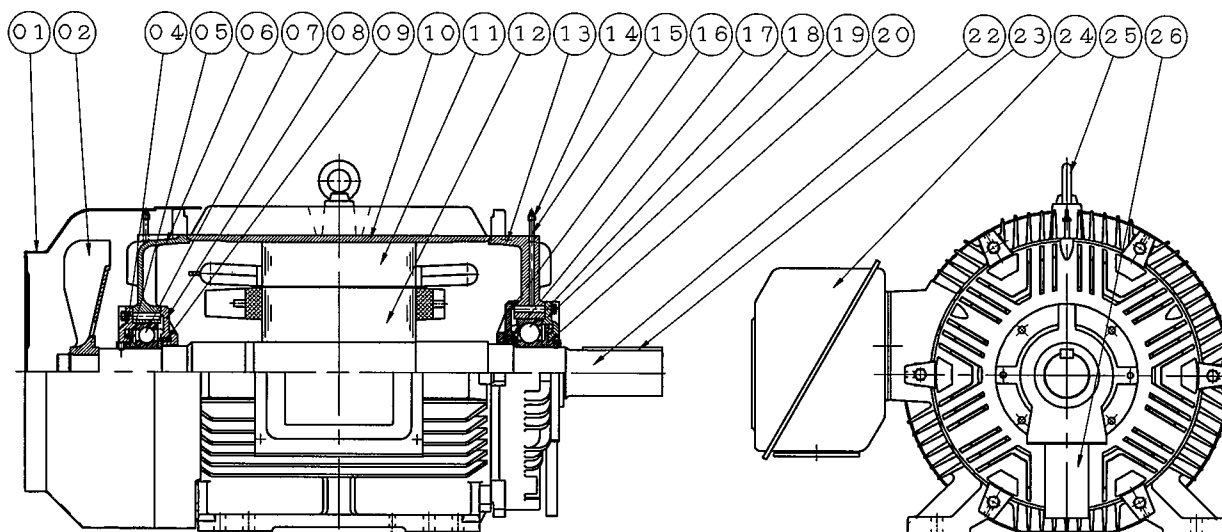
ITEM	NAME	PART NO.
01	FAN COVER	3A407G4610101
02	EXTERNAL FAN	3A402C4840000
04	BEARING COVER-OUTER	3A208D7170201
05	GREASE FLINGER	3A206D5890104
06	END BRACKET	NDE: 3A102F3160402
07	BEARING	6316
08	BEARING COVER-INNER	3A207D4850009
09	STOP RING-BEARING	3A206D5570207
10	FRAME	3A101S4300001
11	STATOR	—
12	ROTOR	—
13	END BRACKET	DE: 3A102F3160500
14	GREASE NIPPLE	219900123045
15	GREASE PIPE	3A211D0300309
16	BEARING COVER-INNER	3A207D3850307
17	STOP RING-BEARING	3A206D5320006
18	BEARING	6318
19	BEARING COVER-OUTER	3A208D7310304
20	GREASE FLINGER	3A206D6260104
22	SHAFT	—
23	KEY	220112231765
24	THERMINAL BOX	3A600B1460000
25	EYE BOLT	210123611246
26	OIL DRAIN COVER	DE:3A209D0181000 NDE:3A209D0110307

僅供參考
不予更新及回收

APPD. <i>B. Yang</i>	FEB. 12. 2010	TECO Electric & Machinery Co., Ltd.	DWG NO.
CHKD. <i>H. Huang</i>	FEB. 12. 2010		4B049M699E
DWN. <i>H. CHEN</i>	FEB. 09 2010		REV. 00

ISSUED FEB. 09 2010	SCHEMATIC DRAWING 3-PHASE HIGH EFFICIENCY INDUCTION MOTORS FRAME NO. (EH) 445T	MODEL AEHH8P
REVISED OCT. 22 2010		6P~8P

TOTALLY ENCLOSED FAN COOLED TYPE. SQUIRREL CAGE ROTOR

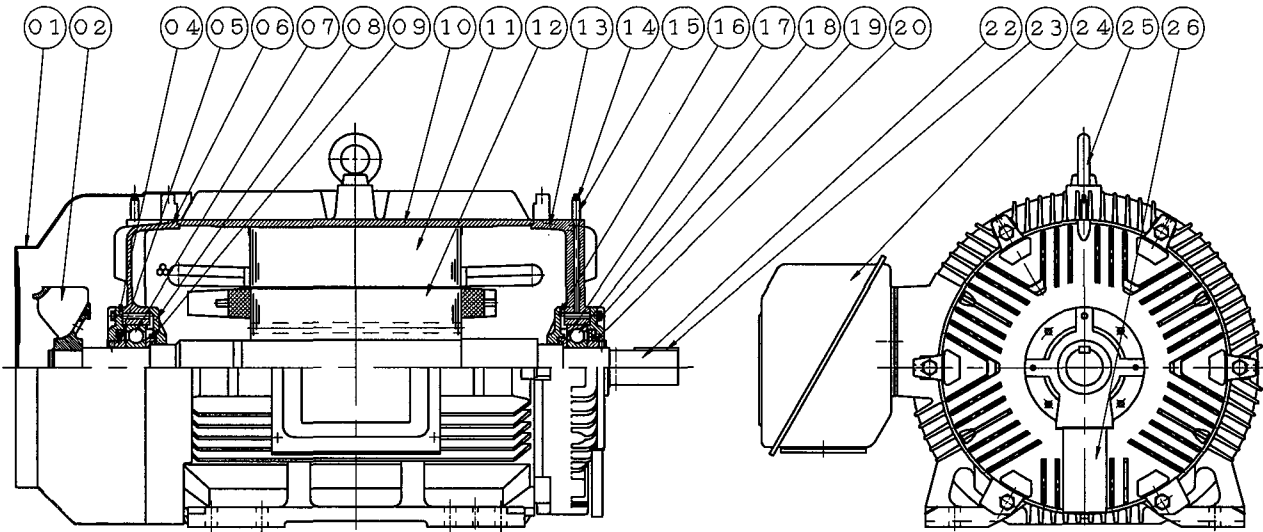


ITEM	NAME	PART NO.
01	FAN COVER	3A407G4610101
02	EXTERNAL FAN	3A402C4860001
04	BEARING COVER-OUTER	3A208D7170201
05	GREASE FLINGER	3A206D5890104
06	END BRACKET	NDE: 3A102F3160402
07	BEARING	6316
08	BEARING COVER-INNER	3A207D4850009
09	STOP RING-BEARING	3A206D5570207
10	FRAME	3A101S4300001
11	STATOR	—
12	ROTOR	—
13	END BRACKET	DE: 3A102F3160500
14	GREASE NIPPLE	219900123045
15	GREASE PIPE	3A211D0300309
16	BEARING COVER-INNER	3A207D3850307
17	STOP RING-BEARING	3A206D5320006
18	BEARING	6318
19	BEARING COVER-OUTER	3A208D7310304
20	GREASE FLINGER	3A206D6260104
22	SHAFT	—
23	KEY	220112231765
24	THERMINAL BOX	3A600B1460000
25	EYE BOLT	210123611246
26	OIL DRAIN COVER	DE:3A209D0181000 NDE:3A209D0110307

僅供參考
不予更新及回收

APPD. B. YANG	OCT. 28, 2010	TECO Electric & Machinery Co., Ltd.	DWG NO.
CHKD. H. Huang	OCT. 26, 2010		4B049M700E
DWN. H. CHEN	OCT. 22, 2010		REV. 01

TOTALLY ENCLOSED FAN COOLED TYPE. SQUIRREL CAGE ROTOR

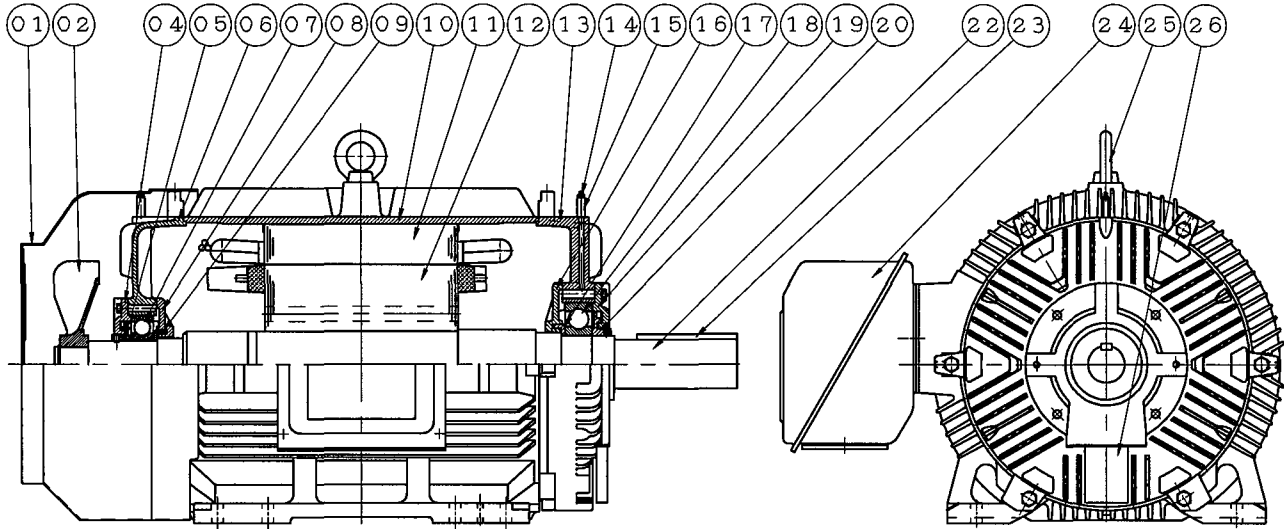


ITEM	NAME	PART NO.
01	FAN COVER	3A407G4690104
02	EXTERNAL FAN	3A402C6830109
04	BEARING COVER—OUTER	3A208D7180206
05	GREASE FLINGER	3A206D6100204
06	END BRACKET	NDE: 3A102F3360100
07	BEARING	6314C3
08	BEARING COVER—INNER	3A207D4840003
09	STOP RING—BEARING	3A206D5520200
10	FRAME	3A101S4320001
11	STATOR	—
12	ROTOR	—
13	END BRACKET	DE: 3A102F3360207
14	GREASE NIPPLE	219900123045
15	GREASE PIPE	3A211D0300309
16	BEARING COVER—INNER	3A207D4840003
17	STOP RING—BEARING	3A206D5520200
18	BEARING	6314C3
19	BEARING COVER—OUTER	3A208D7180206
20	GREASE FLINGER	3A206D6100204
22	SHAFT	—
23	KEY	220111530777
24	THERMINAL BOX	3A600B1460000
25	EYE BOLT	210123611301
26	OIL DRAIN COVER	DE:3A209D0100204 NDE:3A209D0100204

僅供參考
不予更新及回收

ISSUED FEB. 09 2010	SCHEMATIC DRAWING	MODEL AEHH8P
REVISED	3-PHASE HIGH EFFICIENCY INDUCTION MOTORS FRAME NO. (EH) 447T	4P

TOTALLY ENCLOSED FAN COOLED TYPE. SQUIRREL CAGE ROTOR



ITEM	NAME	PART NO.
01	FAN COVER	3A407G4690104
02	EXTERNAL FAN	3A402C4840000
04	BEARING COVER-OUTER	3A208D7170201
05	GREASE FLINGER	3A206D5890104
06	END BRACKET	NDE: 3A102F3360509
07	BEARING	6316
08	BEARING COVER-INNER	3A207D4850009
09	STOP RING-BEARING	3A206D5570207
10	FRAME	3A101S4320001
11	STATOR	—
12	ROTOR	—
13	END BRACKET	DE: 3A102F3360304
14	GREASE NIPPLE	219900123045
15	GREASE PIPE	3A211D0300309
16	BEARING COVER-INNER	3A207D3840301
17	STOP RING-BEARING	3A206D5300200
18	BEARING	6320
19	BEARING COVER-OUTER	3A208D7160302
20	GREASE FLINGER	3A206D6080203
22	SHAFT	—
23	KEY	220112231765
24	THERMINAL BOX	3A600B1460000
25	EYE BOLT	210123611301
26	OIL DRAIN COVER	DE:3A209D0181506 NDE:3A209D0110307

僅供參考
不予更新及回收

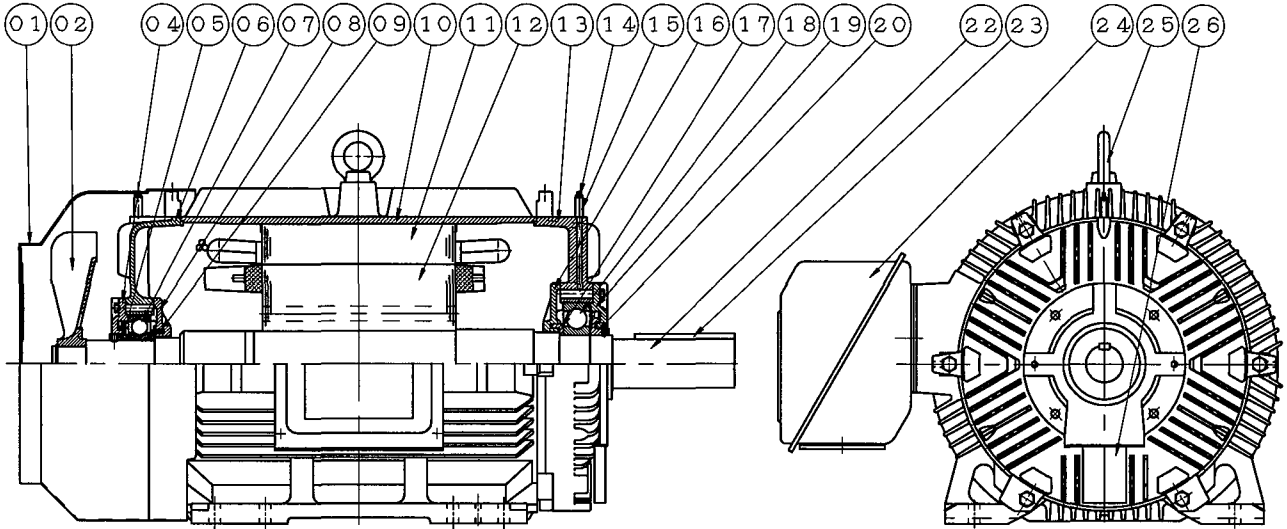
APPD. B. Yang FEB. 12. 2010	TECO Electric & Machinery Co., Ltd.	DWG NO.
CHKD. H. Huang FEB. 12. 2010		4B049M702E
DWN. H. CHEN FEB. 09 2010		REV. 00

ISSUED
FEB. 09 2010
REVISED

SCHEMATIC DRAWING
3-PHASE HIGH EFFICIENCY INDUCTION MOTORS
FRAME NO. (EH) 447T

MODEL
AEHH8P
6P~8P

TOTALLY ENCLOSED FAN COOLED TYPE. SQUIRREL CAGE ROTOR



ITEM	NAME	PART NO.
01	FAN COVER	3A407G4690104
02	EXTERNAL FAN	3A402C4860001
04	BEARING COVER-OUTER	3A208D7170201
05	GREASE FLINGER	3A206D5890104
06	END BRACKET	NDE: 3A102F3360509
07	BEARING	6316
08	BEARING COVER-INNER	3A207D4850009
09	STOP RING-BEARING	3A206D5570207
10	FRAME	3A101S4320001
11	STATOR	---
12	ROTOR	---
13	END BRACKET	DE: 3A102F3360304
14	GREASE NIPPLE	219900123045
15	GREASE PIPE	3A211D0300309
16	BEARING COVER-INNER	3A207D3840301
17	STOP RING-BEARING	3A206D5300200
18	BEARING	6320
19	BEARING COVER-OUTER	3A208D7160302
20	GREASE FLINGER	3A206D6080203
22	SHAFT	---
23	KEY	220112231765
24	THERMINAL BOX	3A600B1460000
25	EYE BOLT	210123611301
26	OIL DRAIN COVER	DE:3A209D0181506 NDE:3A209D0110307

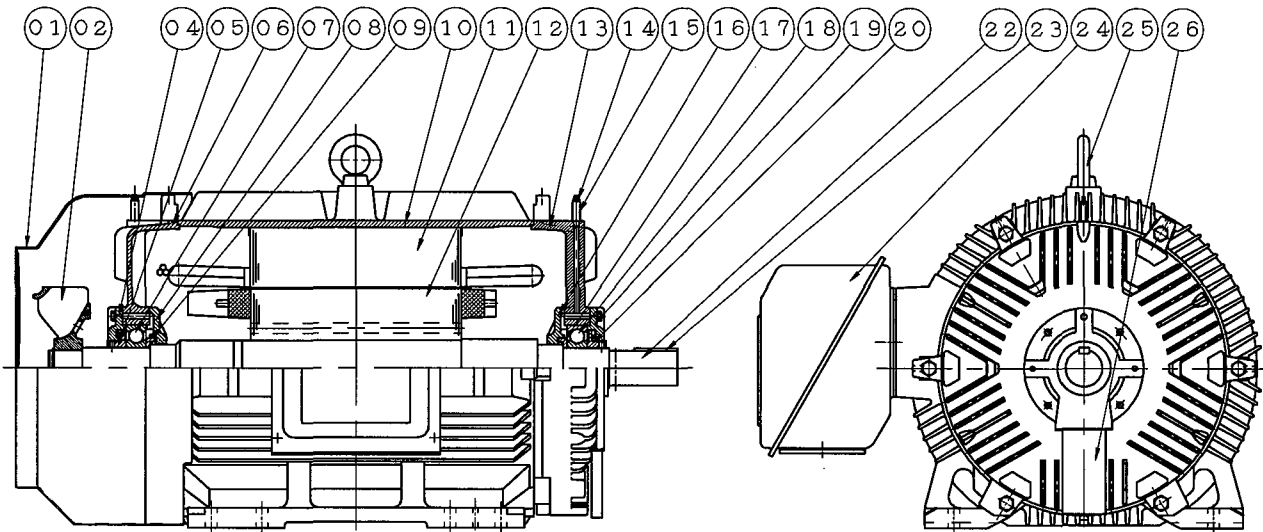
僅供參考
不予更新及回收

APPD. B. Yang FEB. 12. 2010
CHKD. H. Huang FEB. 12. 2010
DWN. H. CHEN FEB. 09 2010

TECO Electric & Machinery Co., Ltd.

DWG NO. 4B049M703E
REV. 00

TOTALLY ENCLOSED FAN COOLED TYPE. SQUIRREL CAGE ROTOR

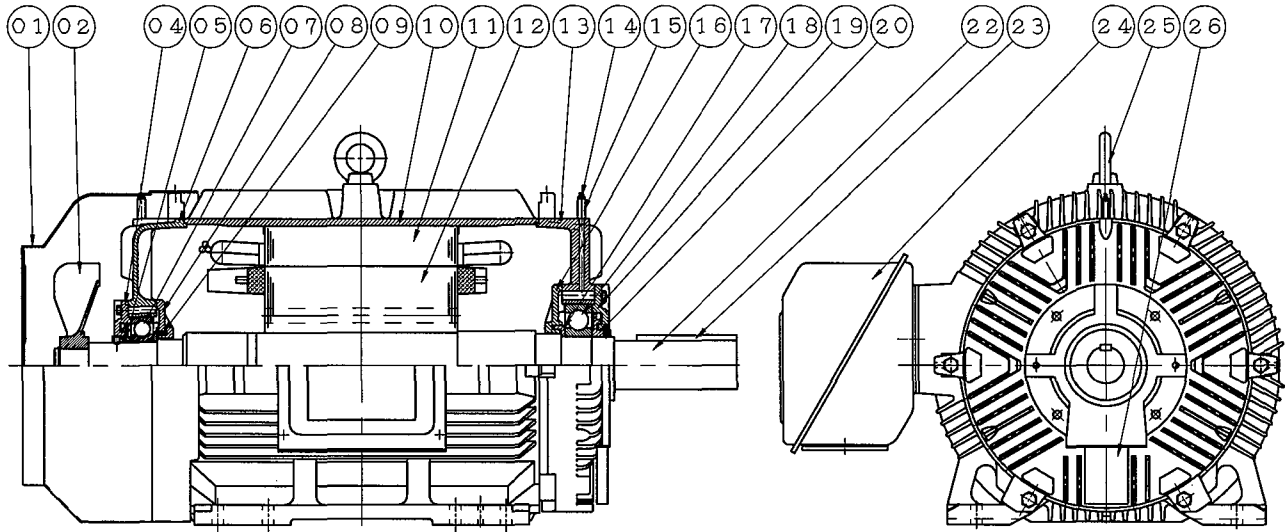


ITEM	NAME	PART NO.
01	FAN COVER	3A407G4690104
02	EXTERNAL FAN	3A402C6830109
04	BEARING COVER—OUTER	3A208D7180206
05	GREASE FLINGER	3A206D6100204
06	END BRACKET	NDE: 3A102F3360100
07	BEARING	6314C3
08	BEARING COVER—INNER	3A207D4840003
09	STOP RING—BEARING	3A206D5520200
10	FRAME	3A101S4330007
11	STATOR	—
12	ROTOR	—
13	END BRACKET	DE: 3A102F3360207
14	GREASE NIPPLE	219900123045
15	GREASE PIPE	3A211D0300309
16	BEARING COVER—INNER	3A207D4840003
17	STOP RING—BEARING	3A206D5520200
18	BEARING	6314C3
19	BEARING COVER—OUTER	3A208D7180206
20	GREASE FLINGER	3A206D6100204
22	SHAFT	—
23	KEY	220111530777
24	THERMINAL BOX	3A600B1460000
25	EYE BOLT	210123611301
26	OIL DRAIN COVER	DE:3A209D0100204 NDE:3A209D0100204

僅供參考
不予更新及回收

ISSUED FEB. 09 2010	SCHEMATIC DRAWING 3-PHASE HIGH EFFICIENCY INDUCTION MOTORS FRAME NO. (EH) 449T	MODEL AEHH8P
REVISED OCT. 22 2010		4P

TOTALLY ENCLOSED FAN COOLED TYPE. SQUIRREL CAGE ROTOR



ITEM	NAME	PART NO.
01	FAN COVER	3A407G4690104
02	EXTERNAL FAN	3A402C4840000
04	BEARING COVER-OUTER	3A208D7170201
05	GREASE FLINGER	3A206D5890104
06	END BRACKET	NDE: 3A102F3360509
07	BEARING	6316
08	BEARING COVER-INNER	3A207D4850009
09	STOP RING-BEARING	3A206D5570207
10	FRAME	3A101S4330007
11	STATOR	—
12	ROTOR	—
13	END BRACKET	DE: 3A102F3360304
14	GREASE NIPPLE	219900123045
15	GREASE PIPE	3A211D0300309
16	BEARING COVER-INNER	3A207D3840301
17	STOP RING-BEARING	3A206D5300200
18	BEARING	6320
19	BEARING COVER-OUTER	3A208D7160302
20	GREASE FLINGER	3A206D6080203
22	SHAFT	—
23	KEY	220112231765
24	THERMINAL BOX	3A600B1460000
25	EYE BOLT	210123611301
26	OIL DRAIN COVER	DE:3A209D0181506 NDE:3A209D0110307

僅供參考
不予更新及回收

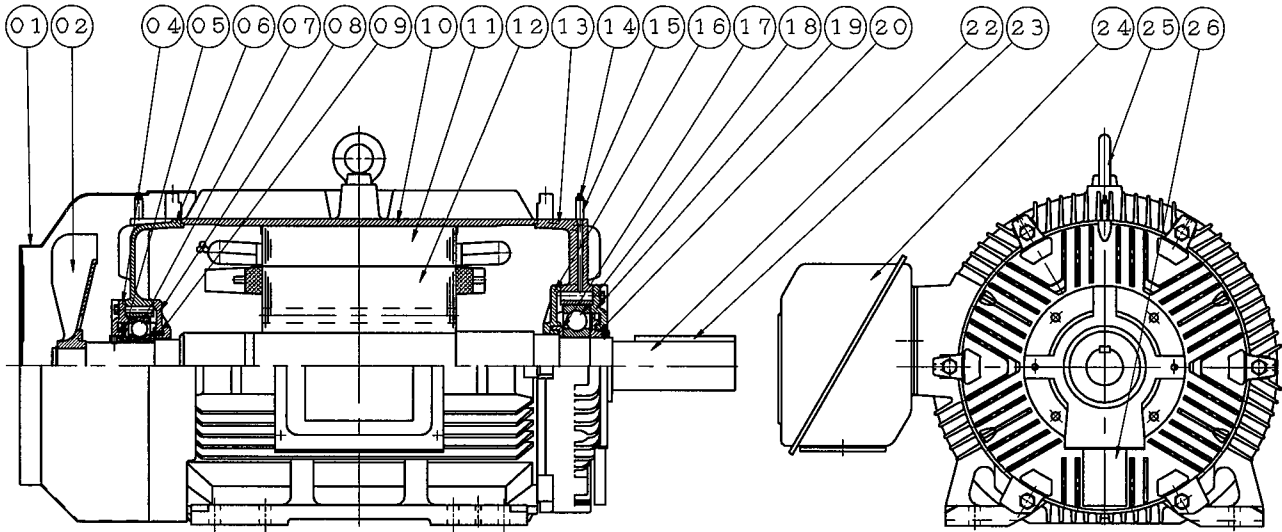
APPD. B. YANG	OCT. 28, 2010	TECO Electric & Machinery Co., Ltd.	DWG NO.
CHKD. H. Huang	OCT. 26, 2010		4B049M705E
DWN. H. CHEN	OCT. 22, 2010		REV. 01

ISSUED
FEB. 09 2010
REVISED

SCHEMATIC DRAWING
3-PHASE HIGH EFFICIENCY INDUCTION MOTORS
FRAME NO. (EH) 449T

MODEL
AEHH8P
6P~8P

TOTALLY ENCLOSED FAN COOLED TYPE. SQUIRREL CAGE ROTOR



ITEM	NAME	PART NO.
01	FAN COVER	3A407G4690104
02	EXTERNAL FAN	3A402C4860001
04	BEARING COVER-OUTER	3A208D7170201
05	GREASE FLINGER	3A206D5890104
06	END BRACKET	NDE: 3A102F3360509
07	BEARING	6316
08	BEARING COVER-INNER	3A207D4850009
09	STOP RING-BEARING	3A206D5570207
10	FRAME	3A101S4330007
11	STATOR	—
12	ROTOR	—
13	END BRACKET	DE: 3A102F3360304
14	GREASE NIPPLE	219900123045
15	GREASE PIPE	3A211D0300309
16	BEARING COVER-INNER	3A207D3840301
17	STOP RING-BEARING	3A206D5300200
18	BEARING	6320
19	BEARING COVER-OUTER	3A208D7160302
20	GREASE FLINGER	3A206D6080203
22	SHAFT	—
23	KEY	220112231765
24	THERMINAL BOX	3A600B1460000
25	EYE BOLT	210123611301
26	OIL DRAIN COVER	DE:3A209D0181506 NDE:3A209D0110307

僅供參考
不予更新及回收

APPD. B. Yang FEB. 12. 2010
CHKD. H. Huang FEB. 12. 2010
DWN. H. CHEN FEB. 09. 2010

TECO Electric & Machinery Co., Ltd.

DWG NO. 4B049M706E
REV. 00